



2017 Retail Prices Systems and Parts

Prices Effective March 1, 2017

Table of Contents

2	XL2, XL2SW Systems
3	XL2, XL2SW Systems
4	XL4, XL5, LL, LL HE33 Systems
5	XL4, XL5, LL, LL HE33 VBS Systems
6	PondLyfe and BriteStar Systems
7	Tubing, AirStations
8	Sound Kits, Valves, Valve Assemblies, Cabinet Keys, Compressor Services
9	MicroLyfe, Replacement Parts Photos
10	Replacement Parts - PondLyfe, BriteStar
11	Replacement Parts - SM 1/3 Hp
12	Replacement Parts - MD 1/2 Hp
13	Replacement Parts - MD 3/4 Hp
14	Replacement Parts - LG 1 Hp
15	Replacement Parts - LG 1 1/2 Hp
16	Replacement Parts - LargeLake, HE33

Aeration Warranties

AirStation™ Diffuser Assembly: 5 Years
Brookwood Compressor Systems: 3 Years
BottomLine™ Tubing: 15 Years
QuietAir™ Cabinets: Lifetime against rust

XL2, XL2SW & HighFlow Systems

PART #	AIR STATIONS	QUIETAIR CABINET	HP	CFM	CYL.	RETAIL
AIR 1	1	Small	1/3	2.5	1	\$1617.00
AIR 1 230	1	Small	1/3	2.5	1	\$1628.00
AIR 1+	2	Small	1/3	2.5	1	\$1932.00
AIR 1+ 230	2	Small	1/3	2.5	1	\$1943.00
AIR 2	2	Medium	1/2	4.3	2	\$2239.00
AIR 2 230	2	Medium	1/2	4.3	2	\$2249.00
AIR 3	3	Medium	1/2	4.3	2	\$2429.00
AIR 3 230	3	Medium	1/2	4.3	2	\$2439.00
AIR 4	4	Large	1	8.6	4	\$3784.00
AIR 4 230	4	Large	1	8.6	4	\$3805.00
AIR 5	5	Large	1	8.6	4	\$3954.00
AIR 5 230	5	Large	1	8.6	4	\$3975.00
AIR 6	6	Large	1	8.6	4	\$4152.00
AIR 6 230	6	Large	1	8.6	4	\$4173.00
HF 2	2	Medium	3/4	5.6	2	\$2496.00
HF 2 230	2	Medium	3/4	5.6	2	\$2506.00
HF 3	3	Medium	3/4	5.6	2	\$2747.00
HF 3 230	3	Medium	3/4	5.6	2	\$2757.00
HF 3+	4	Medium	3/4	5.6	2	\$2952.00
HF 3+ 230	4	Medium	3/4	5.6	2	\$2962.00
HF 4	4	Large	1 1/2	11.2	4	\$4059.00
HF 4 230	4	Large	1 1/2	11.2	4	\$4080.00
HF 5	5	Large	1 1/2	11.2	4	\$4259.00
HF 5 230	5	Large	1 1/2	11.2	4	\$4280.00
HF 6	6	Large	1 1/2	11.2	4	\$4498.00
HF 6 230	6	Large	1 1/2	11.2	4	\$4519.00
HF 7	7	Large	1 1/2	11.2	4	\$4724.00
HF 7 230	7	Large	1 1/2	11.2	4	\$4745.00

XL2, XL2SW & HighFlow VBS Systems

VBS Remote Valve Boxes are required and sold separately below

PART #	AIR STATIONS	QUIETAIR CABINET	HP	CFM	CYL.	RETAIL
AIR 1+ VBS	2	Small	1/3	2.5	1	\$1811.00
AIR 1+ VBS 230	2	Small	1/3	2.5	1	\$1822.00
AIR 2 VBS	2	Medium	1/2	4.3	2	\$2150.00
AIR 2 VBS 230	2	Medium	1/2	4.3	2	\$2161.00
AIR 3 VBS	3	Medium	1/2	4.3	2	\$2307.00
AIR 3 VBS 230	3	Medium	1/2	4.3	2	\$2317.00
AIR 4 VBS	4	Large	1	8.6	4	\$3605.00
AIR 4 VBS 230	4	Large	1	8.6	4	\$3626.00
AIR 5 VBS	5	Large	1	8.6	4	\$3768.00
AIR 5 VBS 230	5	Large	1	8.6	4	\$3789.00
AIR 6 VBS	6	Large	1	8.6	4	\$3994.00
AIR 6 VBS 230	6	Large	1	8.6	4	\$4015.00
HF 2 VBS	2	Medium	3/4	5.6	2	\$2351.00
HF 2 VBS 230	2	Medium	3/4	5.6	2	\$2361.00
HF 3 VBS	3	Medium	3/4	5.6	2	\$2544.00
HF 3 VBS 230	3	Medium	3/4	5.6	2	\$2555.00
HF 3+ VBS	4	Medium	3/4	5.6	2	\$2739.00
HF 3+ VBS 230	4	Medium	3/4	5.6	2	\$2750.00
HF 4 VBS	4	Large	1 1/2	11.2	4	\$3839.00
HF 4 VBS 230	4	Large	1 1/2	11.2	4	\$3860.00
HF 5 VBS	5	Large	1 1/2	11.2	4	\$4049.00
HF 5 VBS 230	5	Large	1 1/2	11.2	4	\$4070.00
HF 6 VBS	6	Large	1 1/2	11.2	4	\$4238.00
HF 6 VBS 230	6	Large	1 1/2	11.2	4	\$4259.00
HF 7 VBS	7	Large	1 1/2	11.2	4	\$4400.00
HF 7 VBS 230	7	Large	1 1/2	11.2	4	\$4421.00
VBS REMOTE VALVE BOX JUNCTION MANIFOLDS						
PART #	VALVES	ITEM		RETAIL		
DIF520	2			\$328.00		
DIF530	3	- Fully Assembled - Valve Box		\$395.00		
DIF540	4	- Brass Ball Valves		\$429.00		
DIF550	5	- Aluminum Valve Manifold - Pressure Gauge		\$468.00		
DIF560	6	- Hose Connectors to Bottom Line Tubing		\$544.00		
DIF570	7	- 1" PVC Pipe Adaptor		\$660.00		
DIF580	8			\$696.00		

XL4, XL5, LL & HighFlow Systems

PART #	AIR STATIONS	QUIETAIR CABINET	HP	CFM	CYL.	RETAIL
AIR 1XL	1	Small	1/3	2.5	1	\$1747.00
AIR 1XL 230	1	Small	1/3	2.5	1	\$1758.00
AIR 2XL	2	Medium	1/2	4.3	2	\$2461.00
AIR 2XL 230	2	Medium	1/2	4.3	2	\$2472.00
AIR 3XL	3	Large	1	8.6	4	\$3911.00
AIR 3XL 230	3	Large	1	8.6	4	\$3922.00
AIR 4XL	4	Large	1	8.6	4	\$4101.00
AIR 4XL 230	4	Large	1	8.6	4	\$4122.00
HF 2XL	2	Medium	3/4	5.6	2	\$2725.00
HF 2XL 230	2	Medium	3/4	5.6	2	\$2735.00
HF 3XL	3	Large	1 1/2	11.2	4	\$4115.00
HF 3XL 230	3	Large	1 1/2	11.2	4	\$4125.00
HF 4XL	4	Large	1 1/2	11.2	4	\$4490.00
HF 4XL 230	4	Large	1 1/2	11.2	4	\$4511.00
HF 5XL	5	Large	1 1/2	11.2	4	\$4809.00
HF 5XL 230	5	Large	1 1/2	11.2	4	\$4830.00
HF 1XL5	1	Medium	3/4	5.6	2	\$2339.00
HF 1XL5 230	1	Medium	3/4	5.6	2	\$2350.00
HF 2XL5	2	Medium	3/4	5.6	2	\$2791.00
HF 2XL5 230	2	Medium	3/4	5.6	2	\$2801.00
HF 3XL5	3	Large	1 1/2	11.2	4	\$4288.00
HF 3XL5 230	3	Large	1 1/2	11.2	4	\$4299.00
HF 4XL5	4	Large	1 1/2	11.2	4	\$4649.00
HF 4XL5 230	4	Large	1 1/2	11.2	4	\$4670.00

High Efficiency LL HE22 Systems

High Efficiency, custom configurable cabinet: (4) 230V compressors 22 CFM. (3) 6" cooling fans. Valved or VBS integrated sound control baffle as required up to 8 outlets. VBS mounting pad included. <i>AirStations sold separately</i>	PART #	RETAIL
	LL HE22 230V	\$6657.00
	LL HE22 230V VBS	\$6242.00

High Efficiency LL HE33 Systems

High Efficiency, custom configurable cabinet: (4) 230V compressors 33 CFM. (3) 7" cooling fans. Valved or VBS integrated sound control baffle as required up to 10 outlets. VBS mounting pad included. <i>AirStations sold separately</i>	PART #	RETAIL
	LL HE33 230V	\$9349.00
	LL HE33 230V VBS	\$8870.00

XL4, XL5 & HighFlow VBS Systems

VBS Remote Valve Boxes are required and sold separately below

PART #	AIR STATIONS	QUIETAIR CABINET	HP	CFM	CYL.	RETAIL
AIR 2XL VBS	2	Medium	1/2	4.3	2	\$2363.00
AIR 2XL VBS 230	2	Medium	1/2	4.3	2	\$2373.00
AIR 3XL VBS	3	Large	1	8.6	4	\$3795.00
AIR 3XL VBS 230	3	Large	1	8.6	4	\$3805.00
AIR 4XL VBS	4	Large	1	8.6	4	\$4031.00
AIR 4XL VBS 230	4	Large	1	8.6	4	\$4052.00
HF 2XL VBS	2	Medium	3/4	5.6	2	\$2587.00
HF 2XL VBS 230	2	Medium	3/4	5.6	2	\$2598.00
HF 3XL VBS	3	Large	1 1/2	11.2	4	\$4070.00
HF 3XL VBS 230	3	Large	1 1/2	11.2	4	\$4080.00
HF 4XL VBS	4	Large	1 1/2	11.2	4	\$4347.00
HF 4XL VBS 230	4	Large	1 1/2	11.2	4	\$4368.00
HF 5XL VBS	5	Large	1 1/2	11.2	4	\$4616.00
HF 5XL VBS 230	5	Large	1 1/2	11.2	4	\$4637.00
HF 1XL5 VBS	1	Medium	3/4	5.6	2	\$2373.00
HF 1XL5 VBS 230	1	Medium	3/4	5.6	2	\$2384.00
HF 2XL5 VBS	2	Medium	3/4	5.6	2	\$2587.00
HF 2XL5 VBS 230	2	Medium	3/4	5.6	2	\$2598.00
HF 3XL5 VBS	3	Large	1 1/2	11.2	4	\$4122.00
HF 3XL5 VBS 230	3	Large	1 1/2	11.2	4	\$4133.00
HF 4XL5 VBS	4	Large	1 1/2	11.2	4	\$4498.00
HF 4XL5 VBS 230	4	Large	1 1/2	11.2	4	\$4519.00
VBS REMOTE VALVE BOX JUNCTION MANIFOLDS						
PART #	VALVES	ITEM				RETAIL
DIF520	2	- Fully Assembled - Valve Box - Brass Ball Valves - Aluminum Valve Manifold - Pressure Gauge - Hose Connectors to Bottom Line Tubing - 1" PVC Pipe Adaptor				\$328.00
DIF530	3					\$395.00
DIF540	4					\$429.00
DIF550	5					\$468.00
DIF560	6					\$544.00
DIF570	7					\$660.00
DIF580	8					\$696.00

Pond-Lyfe and PondLyfe VBS Systems

Specify color when ordering

PART #	AIRSTATIONS	CABINET	HP	CFM	CYL.	RETAIL
PondLyfe 1	(1) XL2 SW	PondLyfe	1/4	2	1	\$1268.00
PondLyfe 2	(2) XL1	PondLyfe	1/4	2	1	\$1433.00
PondLyfe 3	(3) XL1	PondLyfe	1/4	2	1	\$1588.00
PondLyfe 4	(1) XL2 SW (1) XL1	PondLyfe	1/4	2	1	\$1523.00
PondLyfe 2 VBS	(2) XL1	PondLyfe	1/4	2	1	\$1384.00
PondLyfe 3 VBS	(3) XL1	PondLyfe	1/4	2	1	\$1498.00
PondLyfe 4 VBS	(1) XL2 SW (1) XL1	PondLyfe	1/4	2	1	\$1451.00

PondLyfe VBS Remote Valve Box Junction Manifolds

PART #	VALVES	ITEM	RETAIL
DIF 520	2	Fully assembled, valve box, brass ball valves, pressure gauge, aluminum valve manifold, hose connectors to bottomline tubing, 1" pvc pipe adaptor	\$328.00
DIF 530	3		\$395.00



BriteStar Systems

PART #	SOLAR PANELS	AIRSTATIONS	CABINET	VOLTS	CFM	RETAIL
BriteStar 1	(2) 250W	(1) XL2 SW	BriteStar	24	2.5	\$3683.00
BriteStar 2	(2) 250W	(2) XL1	BriteStar	24	2.5	\$3779.00
BriteStar 3	(2) 250W	(3) XL1	BriteStar	24	2.5	\$3875.00
BriteStar 4	(2) 250W	(1) XL2 SW (1) XL1	BriteStar	24	2.5	\$3822.00
BriteStar 1 CBN	1 Valve Compressor system only - no AirStations or solar panels included			24	2.5	\$1762.00
BriteStar 2 CBN	2 Valve Compressor system only - no AirStations or solar panels included			24	2.5	\$1888.00
BriteStar 3 CBN	3 Valve Compressor system only - no AirStations or solar panels included			24	2.5	\$2014.00

BottomLine™ Self-Weighted Tubing

For tubing orders of 5000' or more, call for quantity discount

PART #	ID	LENGTH	ITEM	RETAIL
AT050	0.58"	50'	Single Box	\$72.00
AT100	0.58"	100'	Single Box	\$130.00
AT111	0.58"	500'	Single Spool	\$650.00
AT300	0.75"	300'	Single Spool	\$685.00
AT400	1.0"	250'	Single Box	\$812.00
AT500	0.625"	100'	Single Box	\$159.00
AT511	0.625"	500'	Single Spool	\$795.00
AT600	1.25"	250'	Single Box	\$1160.00
FIT105Z	1/2" barbed insert coupling for AT100			\$1.05

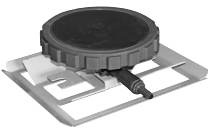
Polyethylene Tubing

PART #	ID	LENGTH	ITEM	RETAIL
AT888		100' Coil	1/2" poly tubing	\$51.00
CLP105Z			1/2" stainless steel clamps	\$3.00
CLP110Z			3/4" stainless steel clamps	\$4.00

GoActive™ Airstation Diffuser Assemblies

PART #	ITEM	MIN. CFM	BEST DEPTHS	RETAIL
ASTNXL1	XL1 AirStation - (1) 9" disk, Stainless Steel base	0.5	4' and deeper	\$146.00
ASTN	XL2 AirStation - (2) 9" disks, Stainless Steel base	1.0	9' - 20'	\$202.00
ASTNSW	XL2SW AirStation - (2) 9" disks, Stainless Steel base	1.0	4' - 8'	\$205.00
ASTNXL	XL4 AirStation - 4) 9" disks with base	2.0	16' and deeper	\$322.00
ASTNXL5	XL5 AirStation - (5) 9" disks with base	2.5	8' and deeper	\$380.00
DIF109	9" MicronBubble™ diffuser disk: 3/4" MPT. Produces .5 - 1 mm bubbles			\$45.00

XL1



Stainless Steel Base
For depths 4' and deeper

XL2



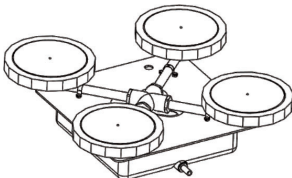
Stainless Steel Base
For depths between 9' and 20'

XL2SW



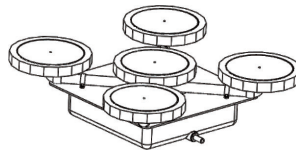
Stainless Steel Base
For depths between 4' and 8'

XL4



For depths 16' and deeper

XL5



For depths 8' and deeper

Sound Kits For Noise Reduction

PART #	ITEM	RETAIL
CBN113	Small Cabinet	\$295.00
CBN109	Medium Cabinet	Muffler Box, Sound Insulation, Quiet Filter
CBN108	Large Cabinet	
CBN114	Large Lake Cabinet	Sound Insulation, Quiet Filter

Valves & Misc Fittings

PART #	ITEM	RETAIL
VAL429Z	3/8" Brass ball valve	\$19.00
HOS104	Adapter Assembly 1/2" Barbed Coupler to 1" PVC	\$28.00

In-Cabinet Valve Assemblies

PART #	DESCRIPTION	VALVES	RETAIL
VAL 1	Fully assembled aluminum valve manifold with pressure gauge, pressure relief valve, unions, ball valves, high temperature hose fitting brookwood compressor. For retrofitting rotary vane systems to brookwood compressors	1	\$223.00
VAL 2		2	\$267.00
VAL 3		3	\$313.00
VAL 4		4	\$441.00
VAL 5		5	\$496.00
VAL 6		6	\$524.00
VAL 7		7	\$601.00

Replacement Cabinet Keys

PART #	ITEM	MODEL YEAR	RETAIL
BL099Z	Rounded key for older barrel lock	Before 8/11	\$20.00
BL200Z	Double sided key for ETL approved lock	8/11 - 8/15	\$10.00
BL119Z	Key for ETL approved lock	After 8/15	\$5.00

Compressor Services with Bearing Change

PART #	ITEM	RETAIL
COMREP 1 PISTON	Single Piston Compressor Rebuild	\$148.00
COMREP 2 PISTON	Duel Piston Compressor Rebuild	\$219.00
COMREP 500	Pond-Lyfe Single Piston Compressor Rebuild	\$164.00

PART #	DESCRIPTION	SALE UNIT	RETAIL
MLYBB40	Barley Boss	40 lb. Bag	\$86.00
MLYBLP5	Blue Power	One (1) 5 gallon Container	\$198.00
MLYCON5	Concentrate Bacteria	One (1) 5 gallon Container	\$499.00
MLYCOP5	Complete	One (1) 5 gallon Container	\$145.00
MLYDG25	Digester 8oz. soluble packs	25 lb. Pail containing 50 packs	\$330.00
MLYSLC5	Sludge Clear	One (1) 5 gallon Container	\$152.00

Aeration Replacement Parts

The **representative photos** below and the charts on the following pages match the **parts sticker** found on the back of the Owner's Manual that shipped with the compressor cabinet. If you no longer have the Owner's Manual, look on the silver ETL sticker inside the cabinet for the Warranty Code so that we can look up your system.



A Liquid Filled Pressure Gauge



B Replacement Filter



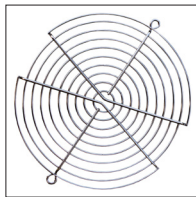
C Pressure Relief Valve



D Replacement Compressor



E Cooling Fan



F Cooling Fan Guard



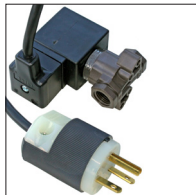
G Compressor Fan Guard



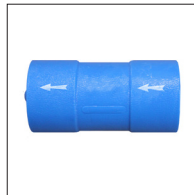
H Capacitor 230v



I Compressor Fan

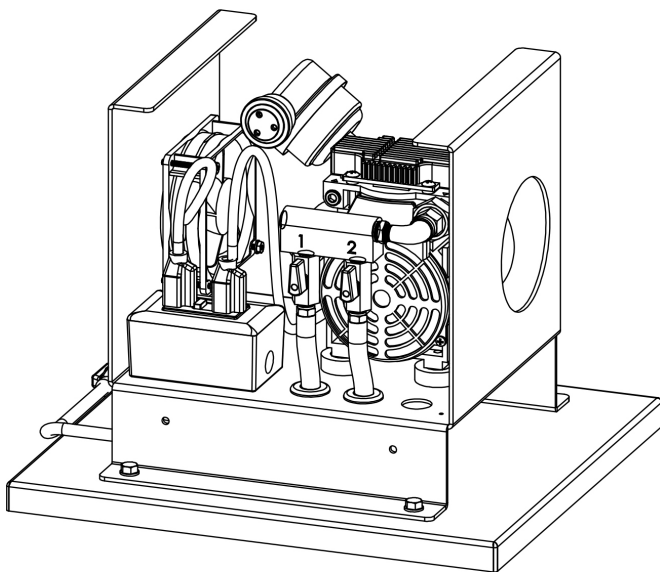


J Solenoid Valve



K Check Valve

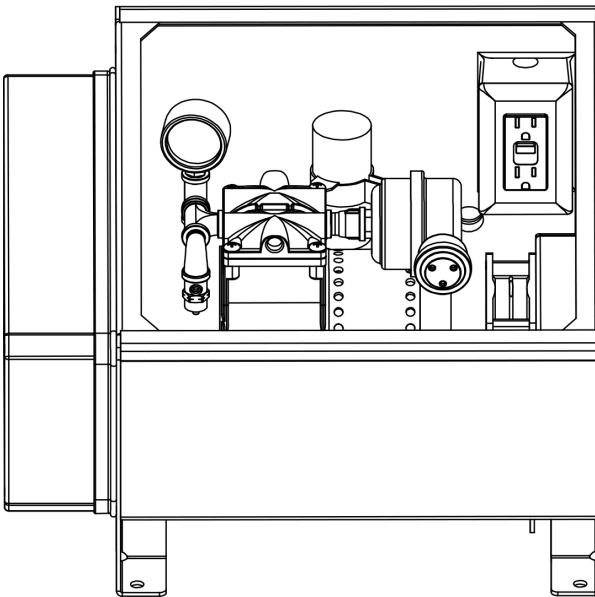
Pondlyfe Cabinet ¼ hp 115 volt 60Hz				
ID	Part #	Description	Qty.	Price
A	FIT888Z	Liquid Filled Pressure Gauge	1	\$22.00
B	MUF202Z	Replacement Filter	1	\$9.00
C	VAL433Z	Pressure Relief Valve	1	\$16.00
	COM500-MK	Rebuild Kit	1	\$104.00
D	COM500-CK	Replacement Compressor	1	\$518.00
E	FAN117	Cooling Fan 115v	1	\$59.00
F	FAN113Z	Cooling Fan Guard	1	\$9.00
G	COM419Z	Compressor Fan Guard	1	\$19.00
H	COM054Z	Capacitor 115v	1	\$20.00
I	COM055Z	Compressor Fan - Black	1	\$20.00



BriteStar Solar 24V BLDC 7 running amps				
ID	Part #	Description	Qty.	Price
A	FIT888Z	Liquid Filled Pressure Gauge	1	\$22.00
B	MUF202Z	Replacement Filter	1	\$9.00
C	SUN300Z	Pressure Relief Valve	1	\$16.00
E	FAN125Z	Cooling Fan	1	\$39.00
F	FAN112Z	Cooling Fan Guard	1	\$6.00
G	COM052Z	Compressor Fan Guard	1	\$13.00
I	COM055Z	Compressor Fan - Black	1	\$20.00
Replacement Compressor				
Rebuild Kit				
Driver Board				

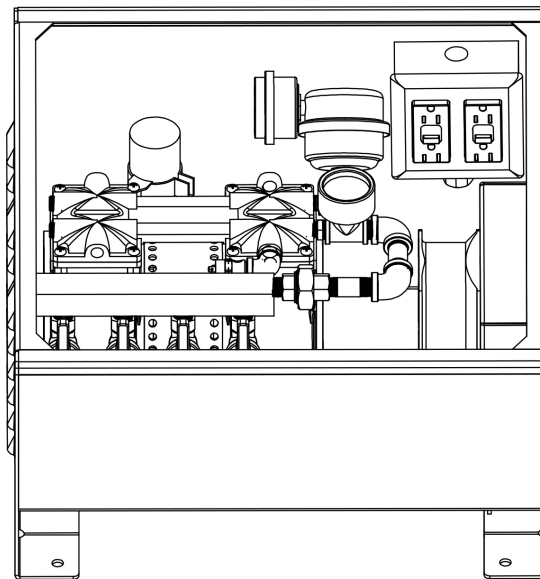
Call the Vertex Service Department for correct Part # and Price for these parts

Small Cabinet 1/3 hp 115 volt 60 Hz				
ID	Part #	Description	Qty.	Price
A	FIT900Z	Liquid Filled Pressure Gauge	1	\$22.00
B	MUF202Z	Replacement Filter	1	\$9.00
C	VAL435Z	Pressure Relief Valve	1	\$16.00
	COM401-MK	Before 8/13 Brookwood Rebuild Kit	1	\$63.00
	COM404-MK	Brookwood Rebuild Kit	1	\$63.00
D	COM404-CK	Replacement Compressor	1	\$568.00
E	FAN118	Cooling Fan 115v	1	\$39.00
F	FAN113Z	Cooling Fan Guard	1	\$9.00
G	COM419Z	Compressor Fan Guard	1	\$19.00
H	COM131Z	Capacitor 115v	1	\$26.00
I	COM415Z	Compressor Fan-Grey	1	\$11.00



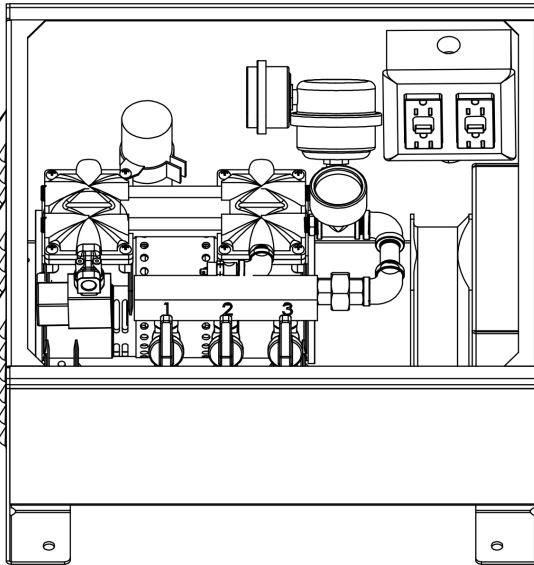
Small Cabinet 1/3 hp 230 volt 50-60 Hz				
ID	Part #	Description	Qty.	Price
A	FIT900Z	Liquid Filled Pressure Gauge	1	\$22.00
B	MUF202Z	Replacement Filter	1	\$9.00
C	VAL435Z	Pressure Relief Valve	1	\$16.00
	COM402-MK	Brookwood Rebuild Kit	1	\$63.00
D	COM402-CK	Replacement Compressor	1	\$594.00
E	FAN119	Cooling Fan 230v	1	\$40.00
F	FAN113Z	Cooling Fan Guard	1	\$9.00
G	COM419Z	Compressor Fan Guard	1	\$19.00
H	COM140Z	Capacitor 230v	1	\$18.00
I	COM415Z	Compressor Fan-Grey	1	\$11.00

Medium Cabinet ½ hp 115 volt 60 Hz				
ID	Part #	Description	Qty.	Price
A	FIT888Z	Liquid Filled Pressure Gauge	1	\$22.00
B	MUF202Z	Replacement Filter	1	\$9.00
C	VAL435Z	Pressure Relief Valve	1	\$16.00
	COM106-MK	Brookwood Rebuild Kit	1	\$105.00
D	COM106-CK	Replacement Compressor	1	\$655.00
E	FAN104	Cooling Fan 115v	1	\$101.00
F	FAN114Z	Cooling Fan Guard	1	\$11.00
G	COM412Z	Capacitor 115v	1	\$20.00
H	COM415Z	Compressor Fan-Grey	1	\$11.00
I	COM416Z	Compressor Fan-Black	1	\$11.00
I	COM419Z	Compressor Fan Guard	2	\$19.00



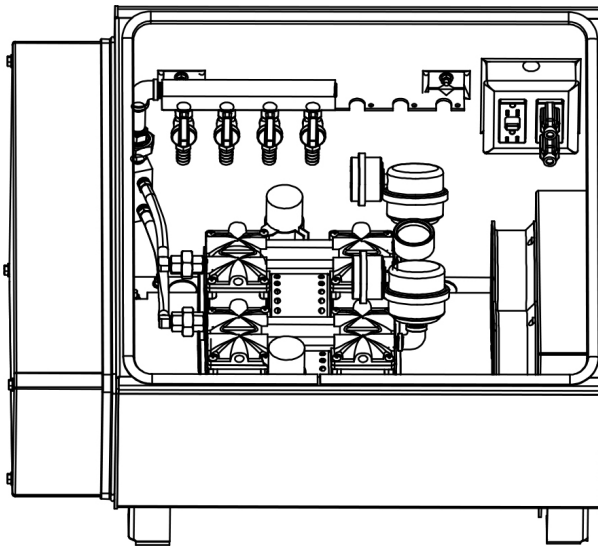
Medium Cabinet ½ hp 230 volt 50-60 Hz				
ID	Part #	Description	Qty.	Price
A	FIT888Z	Liquid Filled Pressure Gauge	1	\$22.00
B	MUF202Z	Replacement Filter	1	\$9.00
C	VAL435Z	Pressure Relief Valve	1	\$16.00
	COM405-MK	Brookwood Rebuild Kit	1	\$105.00
D	COM405-CK	Replacement Compressor	1	\$665.00
E	FAN111	Cooling Fan 230v	1	\$129.00
F	FAN114Z	Cooling Fan Guard	1	\$11.00
G	COM409Z	Capacitor 230v	1	\$17.00
H	COM415Z	Compressor Fan-Grey	1	\$11.00
I	COM416Z	Compressor Fan-Black	1	\$11.00
I	COM419Z	Compressor Fan Guard	2	\$19.00

Medium Cabinet ¾ hp 115 volt 60 Hz				
ID	Part #	Description	Qty.	Price
A	FIT888Z	Liquid Filled Pressure Gauge	1	\$22.00
B	MUF202Z	Replacement Filter	1	\$9.00
C	VAL434Z	Pressure Relief Valve	1	\$16.00
	COM103-MK	Brookwood Rebuild Kit	1	\$105.00
D	COM103-CK	Replacement Compressor	1	\$667.00
E	FAN104	Cooling Fan 115v	1	\$101.00
F	FAN114Z	Cooling Fan Guard	1	\$11.00
G	COM419Z	Compressor Fan Guard	2	\$19.00
H	COM412Z	Capacitor 115v	1	\$20.00
I	COM415Z	Compressor Fan-Grey	1	\$11.00
I	COM416Z	Compressor Fan-Black	1	\$11.00
J	VAL312	Solenoid Valve	1	\$106.00
K	VAL420Z	Check Valve - 1 per valve from cabinet		\$17.00



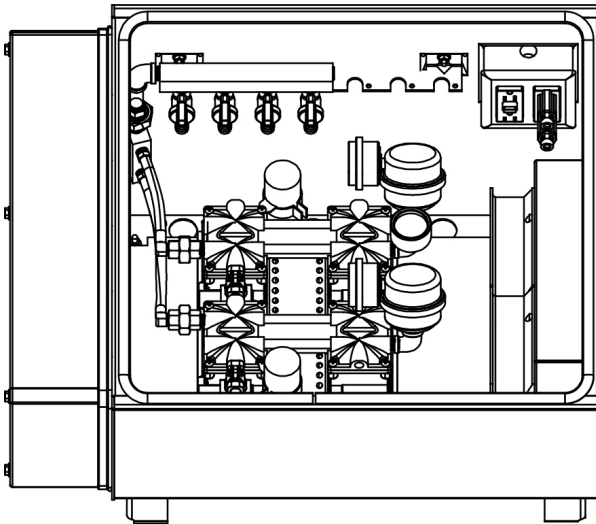
Medium Cabinet ¾ hp 230 volt 50-60 Hz				
ID	Part #	Description	Qty.	Price
A	FIT888Z	Liquid Filled Pressure Gauge	1	\$22.00
B	MUF202Z	Replacement Filter	1	\$9.00
C	VAL434Z	Pressure Relief Valve	1	\$16.00
	COM403-MK	Brookwood Rebuild Kit	1	\$105.00
D	COM403-CK	Replacement Compressor	1	\$672.00
E	FAN111	Cooling Fan 230v	1	\$129.00
F	FAN114Z	Cooling Fan Guard	1	\$11.00
G	COM419Z	Compressor Fan Guard	2	\$19.00
H	COM409Z	Capacitor 230v	1	\$17.00
I	COM415Z	Compressor Fan-Grey	1	\$11.00
I	COM416Z	Compressor Fan-Black	1	\$11.00
J	VAL312	Solenoid Valve	1	\$106.00
K	VAL420Z	Check Valve - 1 per valve from cabinet		\$17.00

Large Cabinet 1 hp 115 volt 60 Hz				
ID	Part #	Description	Qty.	Price
A	FIT888Z	Liquid Filled Pressure Gauge	1	\$22.00
B	MUF202Z	Replacement Filter	2	\$9.00
C	VAL435Z	Pressure Relief Valve	1	\$16.00
	COM106-MK	Brookwood Rebuild Kit	2	\$105.00
D	COM106-CK	Replacement Compressor	2	\$655.00
E	FAN104	Cooling Fan 115v	2	\$101.00
F	FAN114Z	Cooling Fan Guard	2	\$11.00
G	COM419Z	Compressor Fan Guard	4	\$19.00
H	COM412Z	Capacitor 115v	2	\$20.00
I	COM415Z	Compressor Fan-Grey	2	\$11.00
I	COM416Z	Compressor Fan-Black	2	\$11.00



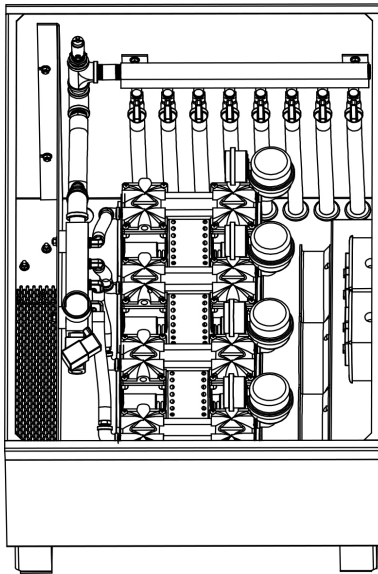
Large Cabinet 1 hp 230 volt 50-60 Hz				
ID	Part #	Description	Qty.	Price
A	FIT888Z	Liquid Filled Pressure Gauge	1	\$22.00
B	MUF202Z	Replacement Filter	2	\$9.00
C	VAL435Z	Pressure Relief Valve	1	\$16.00
	COM405-MK	Brookwood Rebuild Kit	2	\$105.00
D	COM405-CK	Replacement Compressor	2	\$665.00
E	FAN111	Cooling Fan 230v	2	\$129.00
F	FAN114Z	Cooling Fan Guard	2	\$11.00
G	COM419Z	Compressor Fan Guard	4	\$19.00
H	COM409Z	Capacitor 230v	2	\$17.00
I	COM415Z	Compressor Fan-Grey	2	\$11.00
I	COM416Z	Compressor Fan-Black	2	\$11.00

Large Cabinet 1 ½ hp 115 volt 60 Hz				
ID	Part#	Description	Qty.	Price
A	FIT888Z	Liquid Filled Pressure Gauge	1	\$22.00
B	MUF202Z	Replacement Filter	2	\$9.00
C	VAL434Z	Pressure Relief Valve	1	\$16.00
	COM103-MK	Brookwood Rebuild Kit	2	\$105.00
D	COM103-CK	Replacement Compressor	2	\$667.00
E	FAN104	Cooling Fan 115v	2	\$101.00
F	FAN114Z	Cooling Fan Guard	2	\$11.00
G	COM419Z	Compressor Fan Guard	4	\$19.00
H	COM412Z	Capacitor 115v	2	\$20.00
I	COM415Z	Compressor Fan-Grey	2	\$11.00
I	COM416Z	Compressor Fan-Black	2	\$11.00
J	VAL312	Solenoid Valve	1	\$106.00
K	VAL420Z	Check Valve - 1 per valve from cabinet		\$17.00



Large Cabinet 1 ½ hp 230 volt 50-60 Hz				
ID	Part #	Description	Qty.	Price
A	FIT888Z	Liquid Filled Pressure Gauge	1	\$22.00
B	MUF202Z	Replacement Filter	2	\$9.00
C	VAL434Z	Pressure Relief Valve	1	\$16.00
	COM403-MK	Brookwood Rebuild Kit	2	\$105.00
D	COM403-CK	Replacement Compressor	2	\$672.00
E	FAN111	Cooling Fan 230v	2	\$129.00
F	FAN114Z	Cooling Fan Guard	2	\$11.00
G	COM419Z	Compressor Fan Guard	4	\$19.00
H	COM409Z	Capacitor 230v	2	\$17.00
I	COM415Z	Compressor Fan-Grey	2	\$11.00
I	COM416Z	Compressor Fan-Black	2	\$11.00
J	VAL312	Solenoid Valve	1	\$106.00
K	VAL420Z	Check Valve - 1 per valve from cabinet		\$17.00

Large Lake Cabinet 3 hp 230 volt 50-60 Hz				
ID	Part #	Description	Qty.	Price
A	FIT888Z	Liquid Filled Pressure Gauge	1	\$22.00
B	MUF202Z	Replacement Filter	4	\$9.00
C	VAL436Z	Pressure Relief Valve	1	\$28.00
	COM403-MK	Brookwood Rebuild Kit	4	\$105.00
D	COM403-CK	Replacement Compressor	4	\$672.00
E	FAN111	Cooling Fan 230v	3	\$129.00
F	FAN114Z	Cooling Fan Guard	3	\$11.00
G	COM419Z	Compressor Fan Guard	8	\$19.00
H	COM409Z	Capacitor	4	\$17.00
I	COM416Z	Compressor Fan - Black	4	\$11.00
I	COM415Z	Compressor Fan - Grey	4	\$11.00
J	VAL414	Solenoid Valve	1	\$173.00
K	VAL420Z	Check Valve - 1 per valve from cabinet		\$17.00



LL HE33 Cabinet 4 hp 230 volt 50-60 Hz				
ID	Part #	Description	Qty.	Price
A	FIT888Z	Liquid Filled Pressure Gauge	1	\$22.00
B	MUF202Z	Replacement Filter	4	\$9.00
C	VAL437Z	Pressure Relief Valve	1	\$27.00
	COM407-MK	Brookwood Rebuild Kit	4	\$238.00
D	COM407-CK	Replacement Compressor	4	\$1043.00
E	FAN107	Cooling Fan 230v	3	\$177.00
F	FAN116Z	Cooling Fan Guard	3	\$9.00
G	COM430Z	Compressor Fan Guard	8	\$20.00
H	COM409Z	Capacitor	4	\$17.00
I	COM432Z	Compressor Fan - Black	4	\$16.00
I	COM431Z	Compressor Fan - White	4	\$16.00
J	VAL414	Solenoid Valve	1	\$173.00
K	VAL421Z	Check Valve - 1 per valve from cabinet		\$18.00